

# Automatically Remove Trim Scrap

Use this trim pick-up system with an induction blower for conveying thin-gauge edge and/or bleed trims generated in the production of film, foam, sheet or tape extrusion lines. Trims are picked up from the winder and conveyed in a continuous stream to an in-line granulator system or off-line storage bin.

Closed-loop reprocessing of the trim scrap reduces scrap handling costs and labor expenses and eliminates the risk of product contamination. Trim scrap is restored to its original feed stock value.



**Model TRI-05**  
Trim Inducer

## High Performance Trim Scrap Conveying

High induced-to-primary air ratio provides consistent and reliable trim pick-up and conveying. Blower operation on the trim removal inducer is maximized by a simple venturi nozzle adjustment that changes the induced air flow. This converts a specific volume of airflow on the vacuum side into a much greater induced airflow on the pressure side. The design achieves higher air volumes with less horsepower as compared to fixed designs and optimizes efficient system performance.

Conair TRI Series Inducers are available in three (3) sizes to handle any thin-gauge material trim convey application. The blower starter and controls are typically supplied in the granulator control panel when supplied with a complete Conair scrap recycling system or can be supplied as a stand-alone panel when used as a stand-alone trim conveying system.

### ▶ Flexible installation

On the floor or in the air, the Conair Trim Inducer adapts easily to the installation requirement of any extrusion line. The unit is supplied with the venturi in a horizontal arrangement above the blower, but can easily be rotated to provide an optimal venturi orientation. The venturi may also be mounted remotely from the blower using additional tubing.

### ▶ Efficient trim pick-ups

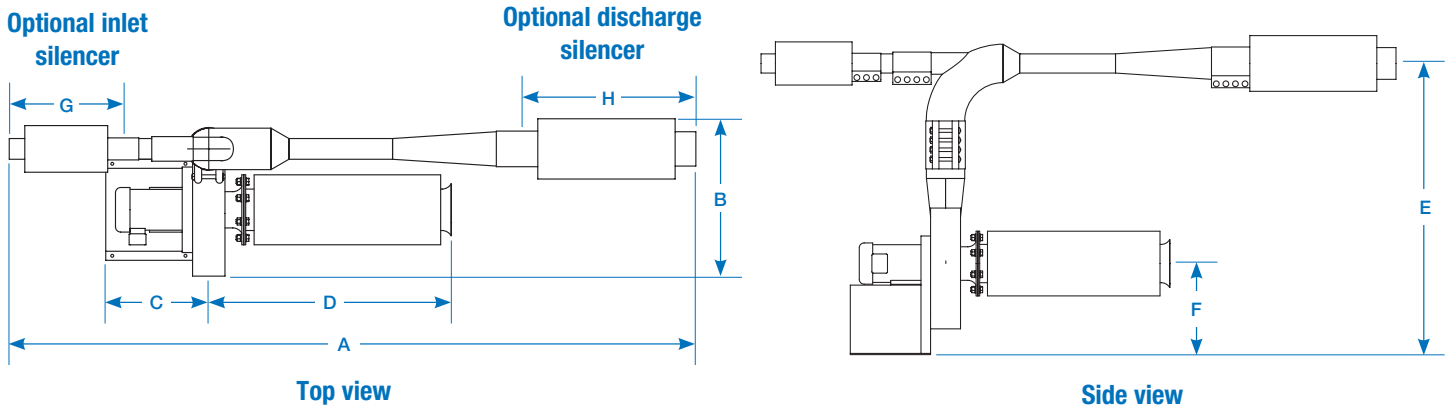
Spun metal bellmouth pick-up nozzles provide a steady material flow without clogging or snagging. Stainless lined metal flex hose allows movement of the pick-up nozzles to ensure smooth trim material flow and prevent plugging in the convey lines. Optional custom manifolds for edge, bleed and/or center trims are adjustable and designed to maintain constant material conveying velocity.

### ▶ Quiet operation

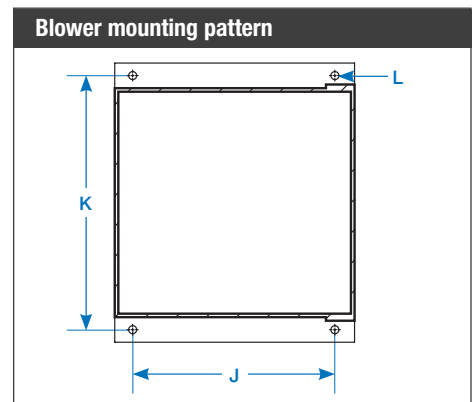
The continuous Trim Inducer is much quieter than an in-line cutter blower or guillotine system. The blower is supplied with a silencer on the fan intake as standard. Optional silencers can be added to both the venturi inlet and/or the venturi outlet. A sound enclosure can be added to the blower as well.



# Specifications



Model	TRI-05	TRI-15
<b>Performance characteristics</b>		
Inlet minimum	4.0 {101.6}	
Discharge maximum	6.625 {168.3}	8.000 {203.2}
<b>Dimensions inches {mm}</b>		
A - Overall length	162.0 {4115}	171.5 {4356}
B - Depth	30.3 {769.6}	42.5 {1079.5}
C - Blower length	20.1 {510.5}	25.0 {635.0}
D - Air intake length	46.8 {1189.0}	47.0 {1193.8}
E - Height of material outlet	61.3 {1557.0}	69.0 {1752.6}
F - Height to center of air intake	19 {482.6}	26 {660.4}
G - Optional silencer length	33 {838.2}	
H - Optional silencer length	47.0 {1193.8}	54.0 {1371.6}
J - Blower mounting width	14.125 {358.8}	19.5 {495.3}
K - Blower mounting length	17.75 {450.9}	21.75 {552.5}
L - Hole diameter	0.563 {14.3}	
<b>Motor Hp {kw}</b>		
	5 {3.7}	15 {11.2}
<b>Voltage Full load amps *</b>		
460V/3 phase/60 Hz	5.9	17.0



**Specification Notes**

\* FLA data for reference purposes only. Does not include any options or accessories on equipment. For full FLA detail for power circuit design of specific machines and systems, refer to the electrical diagrams of the equipment order and the nameplate applied to the machine.

Specifications may change without notice. Consult a Conair representative for the most current information.

## Features

- Mild steel construction
- Adjustable venturi
- 230V/460V/3 phase/60Hz supply voltage
- Silencer on the blower inlet
- TEFC Motors

## Options

- Various venturi inlet configurations
- Custom pick-up manifolds
- Silencers on the venturi inlet and/or outlet
- Sound enclosure for the blower
- Special voltages
- Stand-alone starter controls
- Special paint

