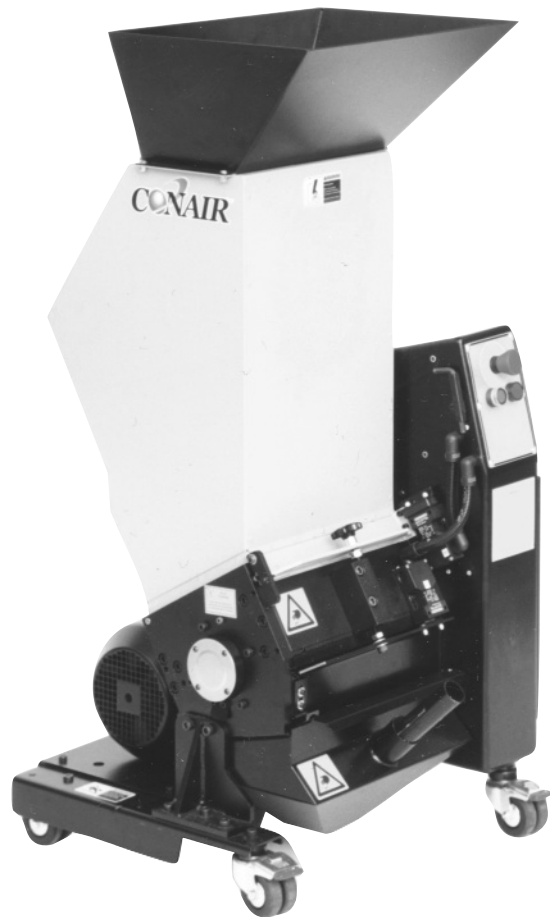
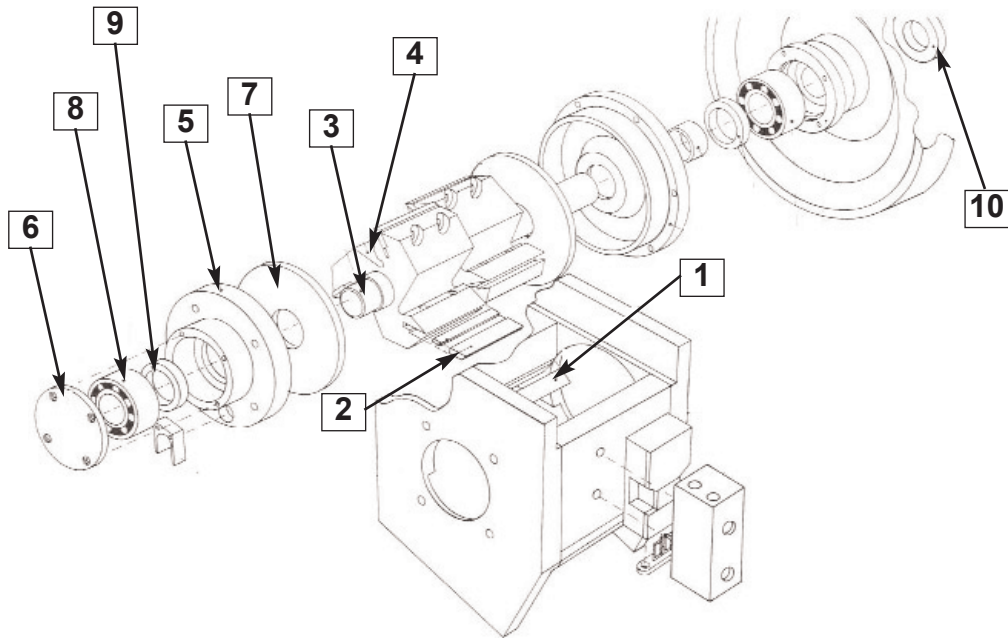


Parts Identification Guide
PIG008/0206

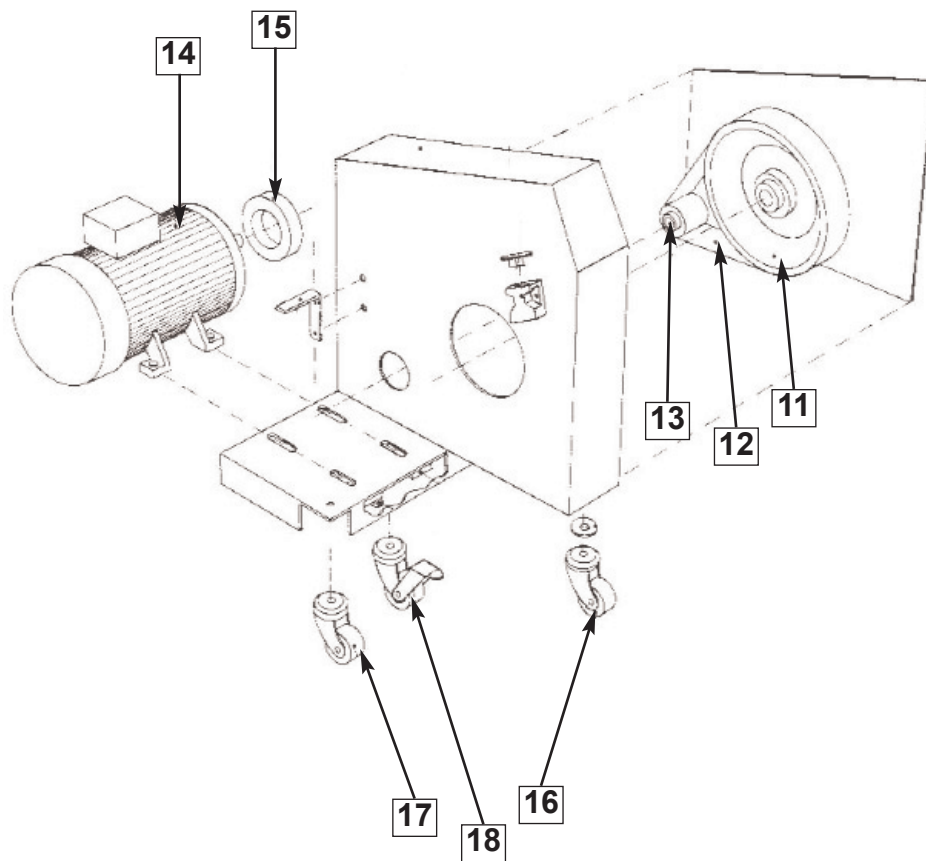
CR / CRS Series Granulators





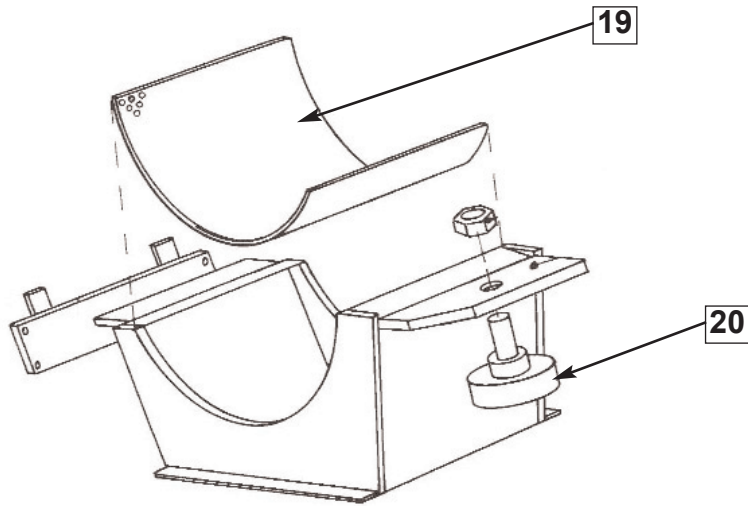
CR / CRS Series Granulators
Cutter Housing

1. Fixed Knife
2. Rotor Knife
3. Rotor
4. Rotor Segment
5. Rotor Cap
6. Lock, Cutter Housing
7. Rotor Cap Insert
8. Rotor Bearing
9. Rotor Seal
10. Rotor Pulley Bushing



CR / CRS Series Granulators
Stand with Transmission

- 11. Rotor Pulley
- 12. Drive Belt
- 13. Motor Pulley
- 14. Motor
- 15. Motor Seal
- 16. Swivel Caster
- 17. Caster, Moveable
- 18. Caster, Fixed

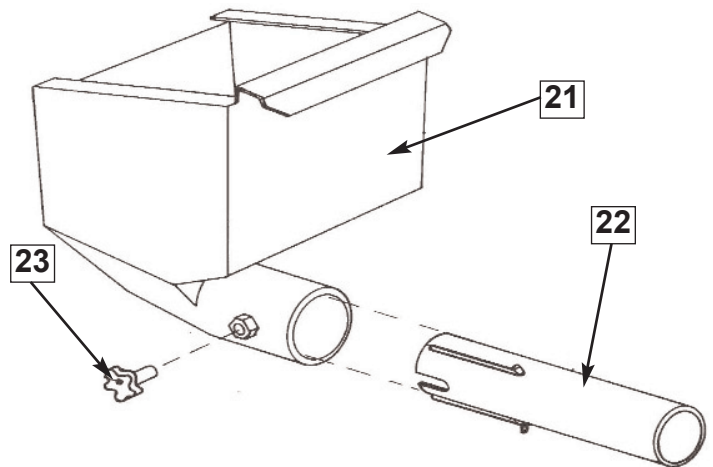


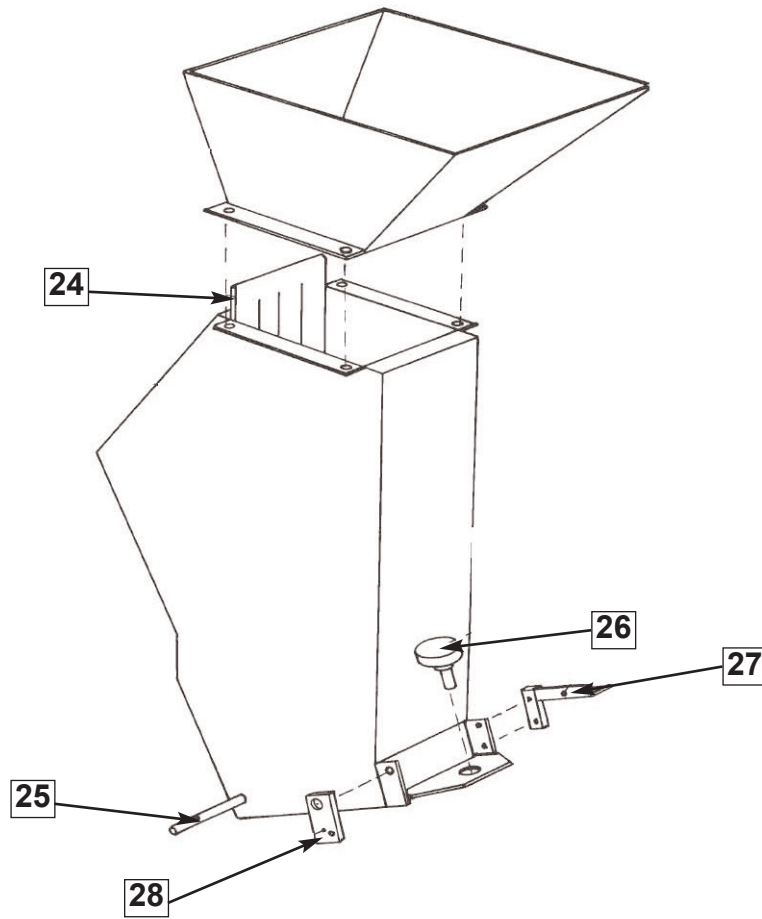
CR / CRS Series Granulators
Screen Box

- 19. Screen
- 20. Knob, Screen Cradle

CR / CRS Series Granulators
Granule Bin

- 21. Vacuum Bin
- 22. Transition Tube
- 23. Star Knob





CR / CRS Series Granulators
Hopper with Funnel

- 24. Flaps
- 25. Pin Hinge
- 26. Knob
- 27. Bracket, Limit Switch
- 28. Hopper Stop