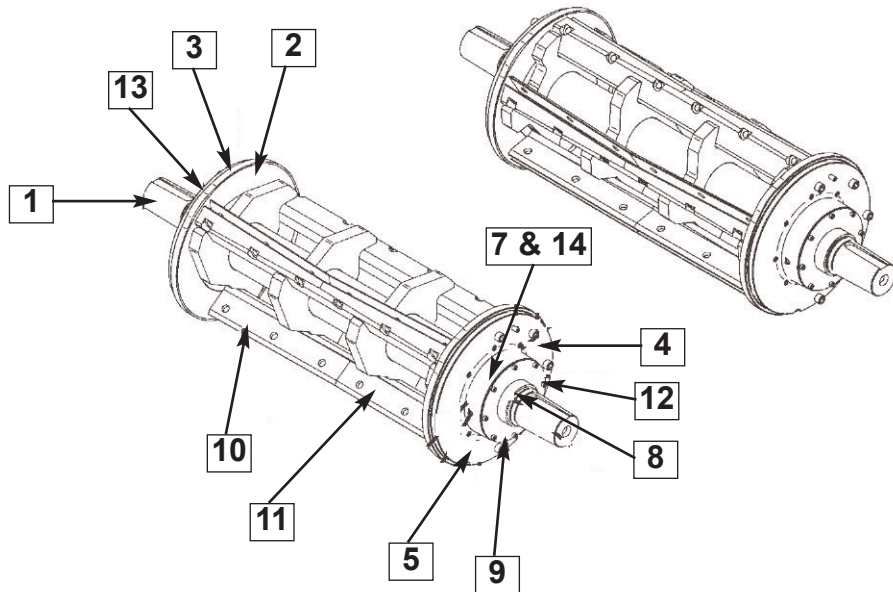


Parts Identification Guide
PIG006/0106

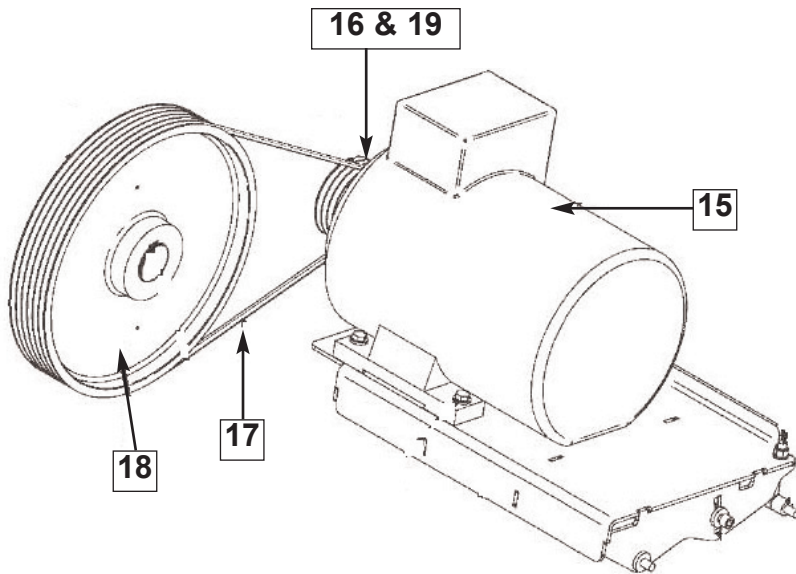
CW Series Granulators





CW Series Granulator
Cutter 3-Blade and 5-Blade

1. Rotor
2. End Disc
3. Bearing Housing Left
4. Bearing Housing Right
5. Bearing Cover, Inner
7. Bearing Ring, Inner
8. Bearing Ring, Outer
9. Bearing Cover, Outer
10. Support Rule, Rotating Left
11. Support Rule, Rotating Right
12. Roller Bearing, Sealed
13. Guide Ring
14. Sealing Ring

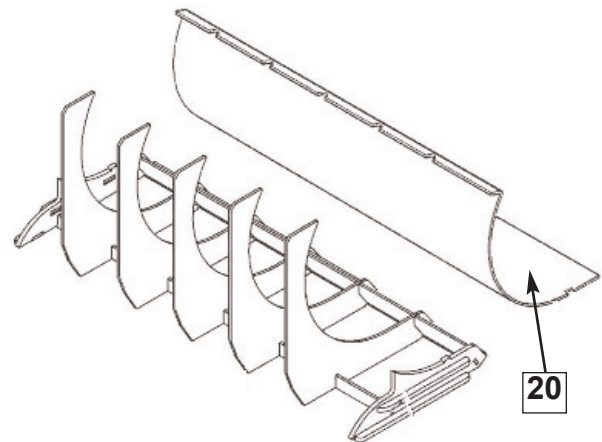


**CW Series Granulator
Transmission**

- 15. Motor
- 16. Bushing
- 17. Drive Belt
- 18. Rotor Pulley
- 19. Motor Pulley

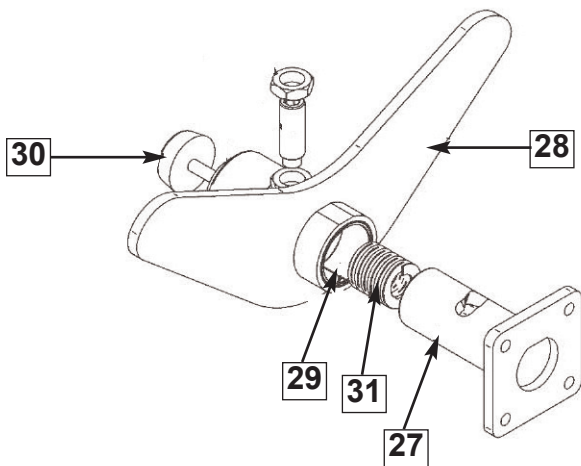
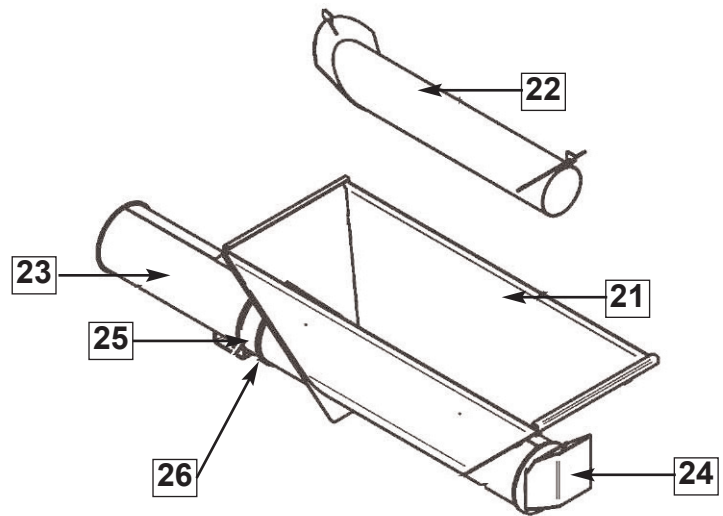
**CW Series Granulator
Screen and Screen Box**

- 20. Screen



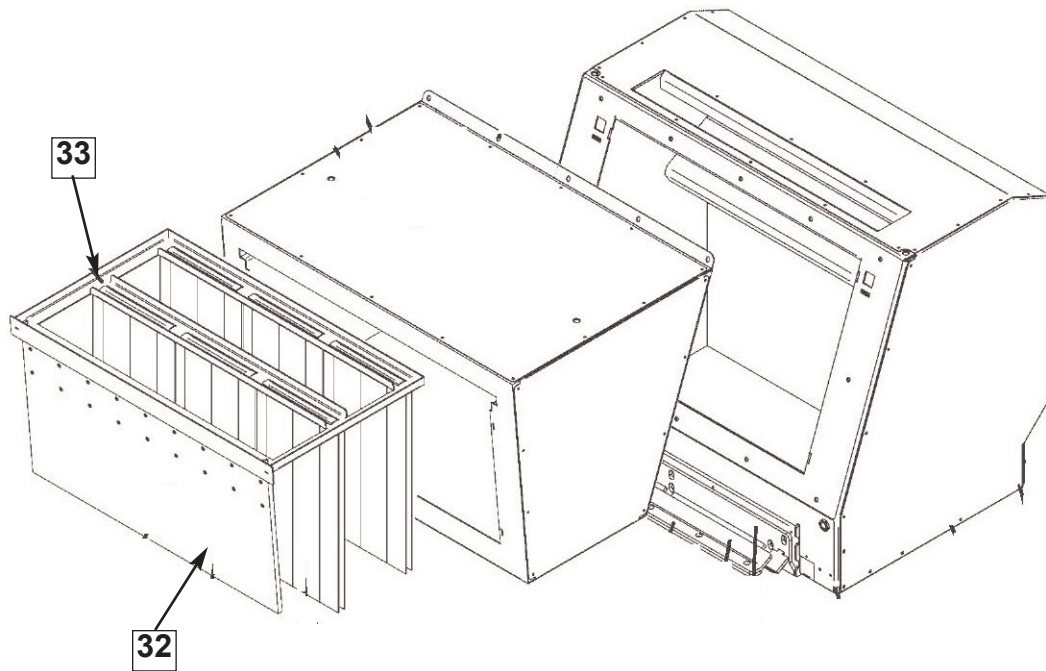
CW Series Granulator
Granule Bin

- 21. Vacuum Bin
- 22. Pneuvey
- 23. Transition Pipe
- 24. Air inlet
- 25. Pipe
- 26. Quick Coupling



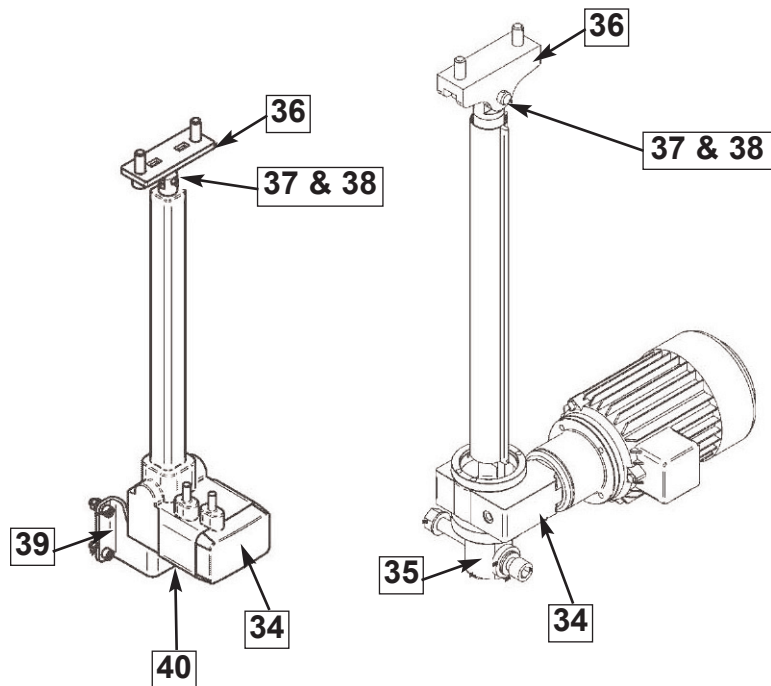
CW Series Granulator
Cutter Lock

- 27. Rotor Locking Fixed
- 28. Rotor Locking Movable
- 29. Slide Bearing
- 30. Damper
- 31. Compression Spring



CW Series Granulator
Hopper Front - Soundproofing,
Soundproofing and Extraction Fan

- 32. Flaps
 - 600 x 450 mm
 - 900 x 450 mm
 - 1200 x 450 mm
- 33. FLap Holder

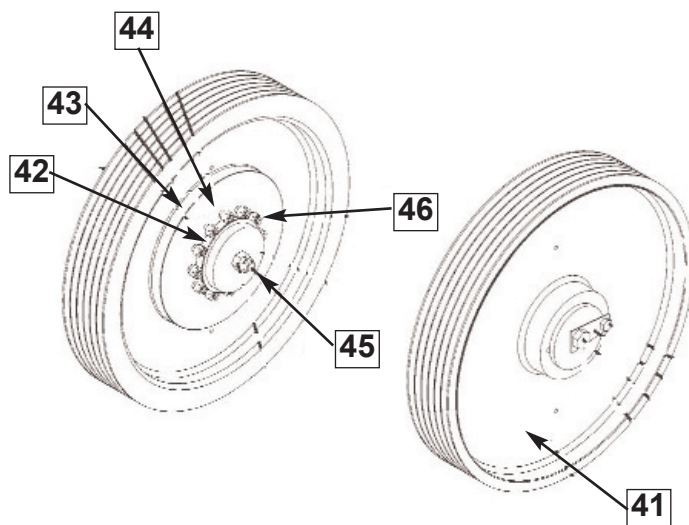


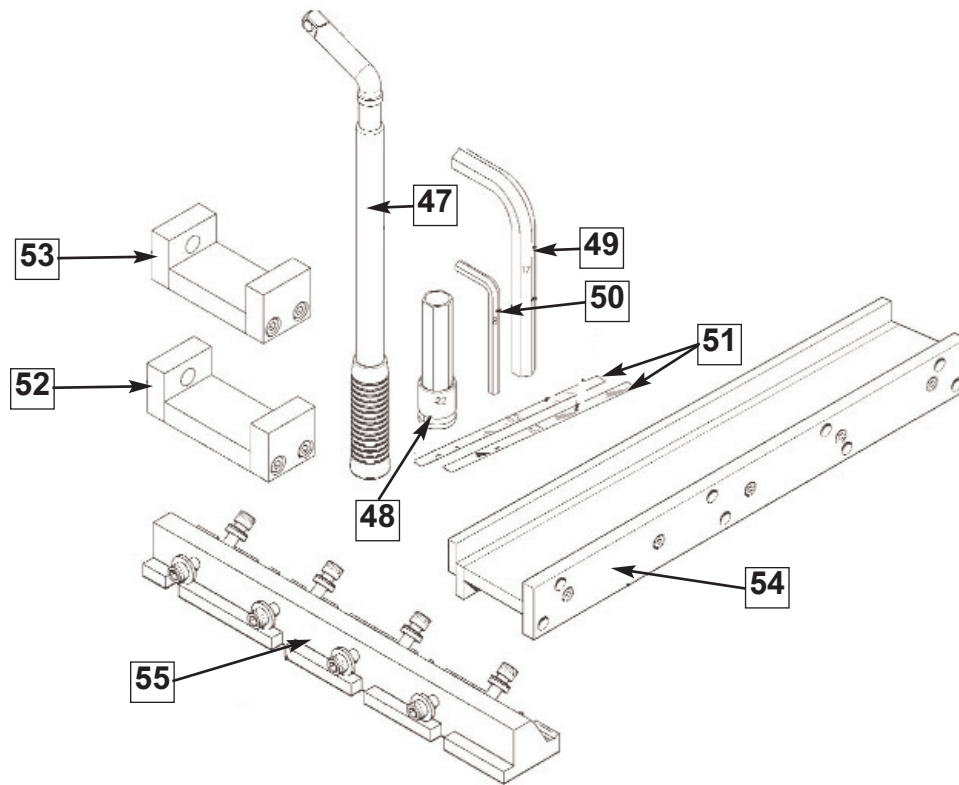
CW Series Granulator Jack

- 34. Jack 500 N
- 35. Rubber Bushing
- 36. Swing Bracket
- 37. Clevis Pin
- 38. Split Pin
- 39. Bracket
- 40. Slide Bearing

CW Series Granulator Flywheel

- 41. Rotor Pulley
- 42. Hub, Friction Coupling
- 43. Friction Disc
- 44. Bushing Slide Bearing
- 45. Spring Pin
- 46. Disc Spring





CW Series Granulator
Tools and Fixtures

- 47. Tool, Telescopic 1/2"
- 48. Bits 1/2", 22 mm
- 49. Hex Wrench 17 mm
- 50. Hex Wrench 8 mm
- 51. Feeler Gauge 0.20 mm and 0.30 mm
- 52. Knife Pre-set Fixture for Rotating Knives
- 53. Knife Pre-set Fixture for Fixed Knives
- 54. Knife Pre-set Fixture for Fixed and Rotating Knives
- 55. Grinding Fixture for Knives