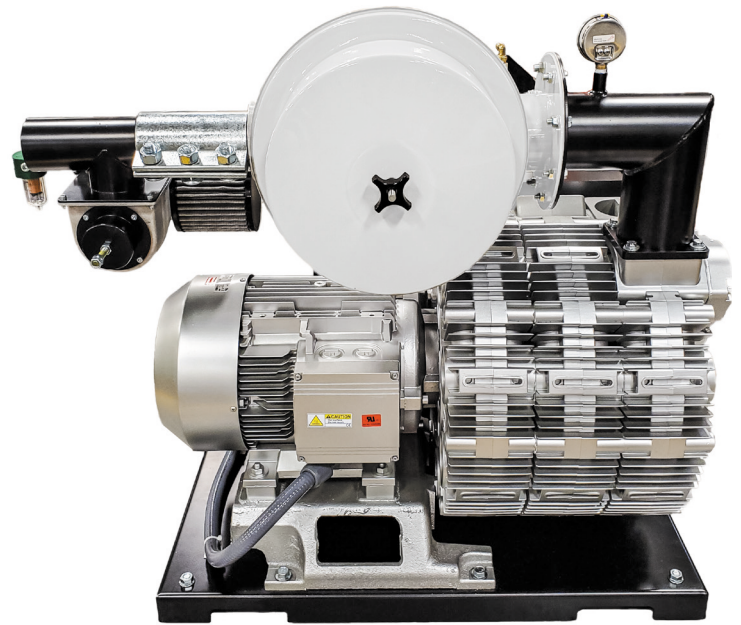


Quiet, Long Distance Conveying Power

Conair's newest HRG Series Hybrid Pumps (regenerative impeller) provide extremely quiet, strong vacuum power for conveying plastic material long distances. The HRG utilizes an optional VFD (Variable Frequency Drive) in conjunction with a multi-stage regenerative impeller design that creates vacuum pull in a quiet, nearly maintenance free package. The direct-drive pump delivers quieter vacuum performance at longer distances and higher elevations for challenging resin transfer applications.



**Model
HRG=10**

Optional VFD* for Reduced Energy, Low Noise and Perfect Power

The regenerative impeller pump utilized in the HRG revolutionizes the way vacuum conveying air is created for resin transfer - and it might just be the quietest pump you've ever encountered! Add the optional VFD* and you'll save energy while producing the perfect amount of vacuum.

Conventional compression lobes can be loud. The HRG replaces them with a regenerative impeller that smoothly cuts, captures and compresses the air with minimal draft and vibration, reducing noise and energy consumption and creating strong vacuum perfect for long-distance use.

Using the same vacuum/material line size, the HRG range provides 30% greater conveying performance in pounds per hour and/or capable distance, with less energy and approximately half the noise of traditional lobe style vacuum pumps.

In addition, drive belts and motor adjustments are replaced with smooth, low maintenance, direct drive operation. Energy consumption, depending upon the application, is reduced by up to 25% over common positive displacement vacuum pumps.

► **Extend conveying system range while saving energy**

Deep vacuum can provide conveying performance to 850 feet {260 meters}. The optional VFD* allows for perfect adjustment of the pump - using only the energy you need for your application. This saves money shift-after-shift, day-after-day.

► **Quiet your plant**

Pumps running add to the overall operating noise of every plant. The HRG operates at a much quieter level (70-83 dbA), resulting in more comfortable working conditions.

► **Increase conveying system performance**

Replace your pump with a HRG Pump to solve conveying problems without redesigning your conveying or vacuum tubing network.

► **Wave Conveying™ capable**

The HRG with the Wave Conveying option (available in 400V and 460V only) includes a VFD and other components needed for Wave Conveying systems.

► **Broader adjustment of air-to-material ratios, with VFD precision**

Increased vacuum conveying power at the material pick-up point provides trouble-free resin flow without line plugging or surging.

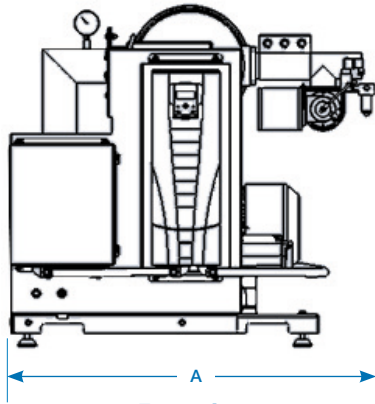
► **Ready to install**

Includes motor starter, vacuum gauge, vacuum relief, idle mode valve, and pump protection filter.

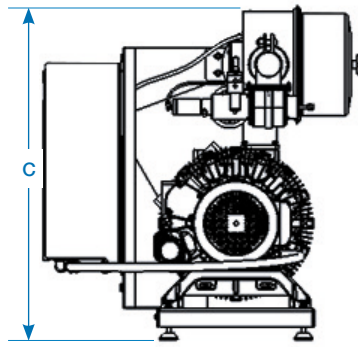
* VFD Option only available on 400V and 460V units.



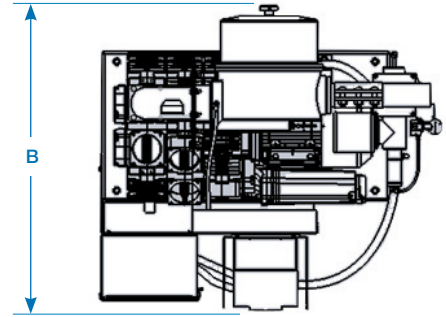
Specifications



Front view



Side view



Top view

Model	HRG-10	HRG-15	HRG-30
Performance characteristics			
Horsepower {kW}	13.2 {9.8}	19.4 {14.5}	33 {24.6}
Average sound level (dbA)	72	74	74
Vacuum inlet size inches {mm}	2.5 {63.5}	3.0 {76.2}	3.0 {76.2}
Outlet size inch FNPT	2.5	3	3
Dimensions inches {mm}			
A - Length	42.9 {1089.7}	42.2 {1071.9}	43.4 {1102.4}
B - Width	37.7 {957.6}	40.0 {1016.0}	38.3 {972.8}
C - Height	39.9 {1013.5}	38.3 {972.8}	43.9 {1115.1}
Weight lbs {kg}			
Shipping (estimated)	1000 {453}	1350 {612}	2100 {953}
Voltage Full load amps * (Wave Conveying pump configuration shown in parenthesis)			
230V / 3-phase / 60 Hz	44.4	61.4	N/A
400V / 3-phase / 60 Hz	30.2 (35.1)	35.2 (47.1)	66.2 (77.1)
400V / 3-phase / 50 Hz	15.3	23.3	38.3
460V / 3-phase / 60 Hz	30.2 (35.1)	35.2 (47.1)	66.2 (77.1)
575V / 3-phase / 60 Hz	19.2	23.2	44.2
Compressed air requirement †			
	80 - 120 psi {5.5 - 8.2 bar} @ 1 - 2 ft ³ {28 - 57 liters}		

Application Notes
<p>All conveying system pump applications should be specified and approved by Conair system engineers for optimal performance. Critical information for correct sizing must include:</p> <ul style="list-style-type: none"> • Horizontal material conveying distance • Vertical material conveying distance • Number and type of material conveying elbows • Length of material conveying flex hose • Length of vacuum line • Altitude (feet above sea level) of operating location • Material(s) being conveyed and bulk density(s) • Total throughputs • Wave Conveying now or in the future

Specification Notes

* FLA data for reference purposes only. Does not include any options or accessories on equipment. For full FLA detail for power circuit design of specific machines and systems, refer to the electrical diagrams of the equipment order and the nameplate applied to the machine. For use with Wave Conveying systems, a 400V or 460V unit must be selected and must be used with a VFD.

† For operation of Idle Mode Valve.

Specifications may change without notice. Consult with a Conair representative for the most current information.

Features

HP Pumps must be used in conjunction with a Conveying System Dust Collector installed on the vacuum line prior to the HP inlet. HP pumps are equipped with:

- Voltage matched, magnetic pump starter with 24 VDC starter coil
- Mechanical vacuum relief valve
- Vacuum idle mode valve with filter (requires 90 to 120 psi {6.2 to 8.2 bar} compressed air)
- 12 square foot pump protection cartridge filter in no-tools access housing
- Vacuum gauge
- Internal cooling fan

Options

- 3-phase disconnect switch (Use of a 3-phase disconnect switch near the pump installation is recommended.)
- Aftercooler on dust collector
- Pump stacking stand

